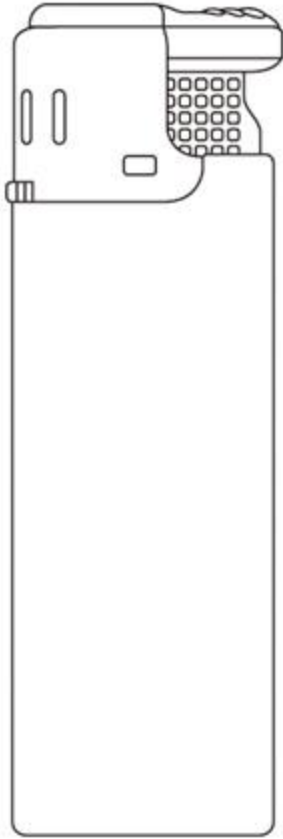
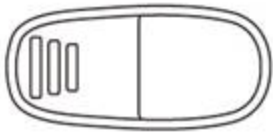


正视图  
ENVISAGE DRAWING



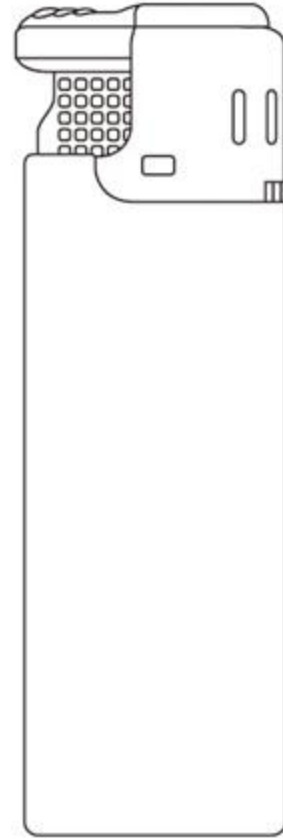
上视图  
COPING DRAWING



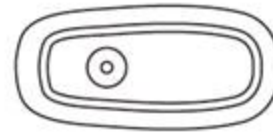
右视图  
DEXTER DRAWING



反视图  
REVERSE DRAWING



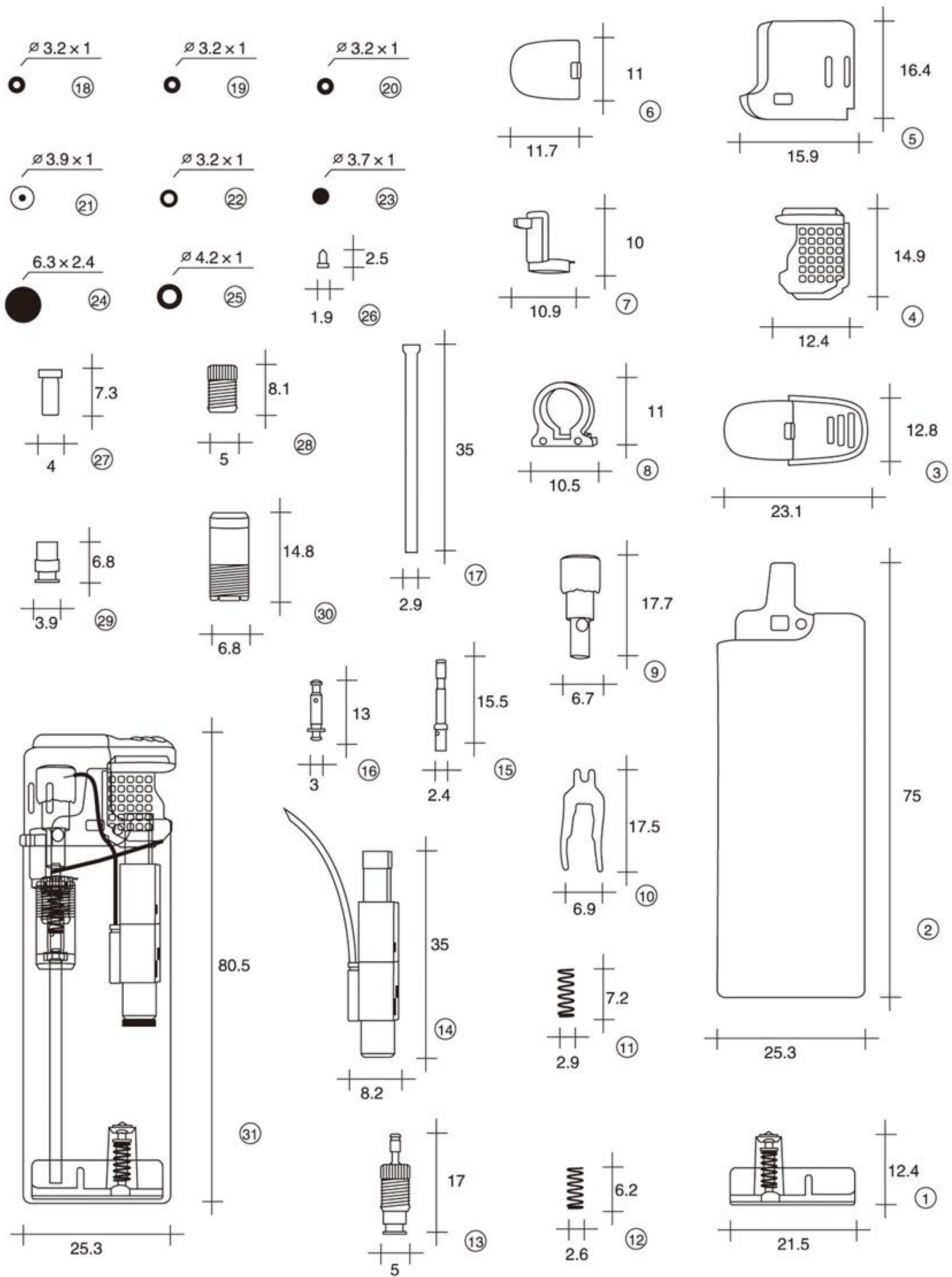
下视图  
BOTTOM DRAWING



左视图  
LEFT DRAWING

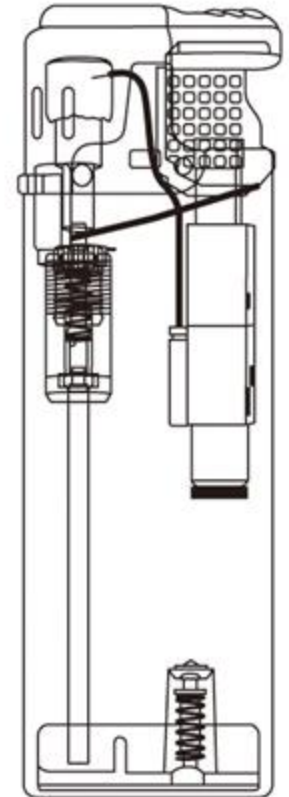


设计 designer		标准化 standardizer					
校对 proof-reading		制图 drawer		图样标记	重量 WEIGHT	比例 PROPORTION	外观图 facade drawing
审核 checker		审定 judger					
签字 signaturer		日期 date		共 5 页 5 pages total		第 1 页 page 1	



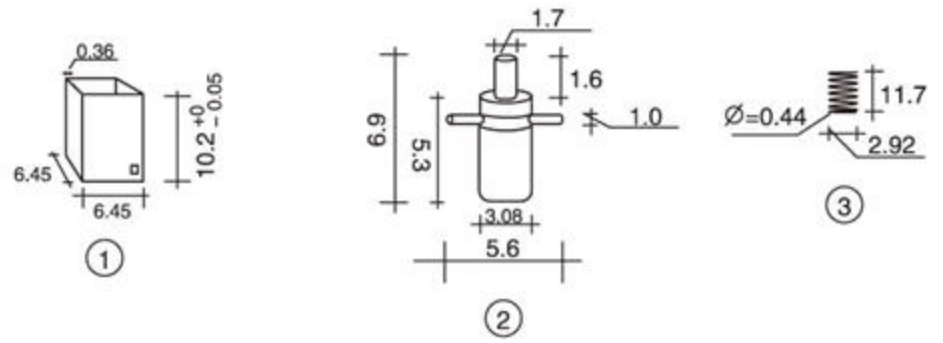
设计 designer		标准化 standardizer					
校对 proof-reader		制图 drawinger		图样标记	重量 WEIGHT	比例 PROPORTION	外观图 facade drawing
审核 checker		审定 judger					
签字 signaturer		日期 date		共 5 页 5 pages total		第 2 页 page 2	

编号 NO.	名称 NAME	重量/g WEIGHT	规格 / mm SPECS
1	底板 MOTHERBOARD	1 ± 0.1	21.5 × 12.4
2	机壳 DOS SHELL	8.8 ± 0.1	25.3 × 75
3	盖板 COVER BOARD	0.6 ± 0.01	23.1 × 12.8
4	按手 PRESS HAND	0.6 ± 0.01	12.4 × 14.9
5	风罩 CAP	1.6 ± 0.1	15.9 × 16.4
6	铁片 IRON PATCH	0.5 ± 0.01	11.7 × 11
7	调火环 ADJUST RING	0.2 ± 0.01	10.9 × 10
8	内风罩 INNER CAP	0.5 ± 0.01	10.5 × 11
9	气化炉 AERIFICATION FURNACE	1 ± 0.1	6.7 × 17.7
10	铁撬板 LEVER	0.4 ± 0.01	6.9 × 17.5
11	弹簧 VALVE SPRING	0.2 ± 0.01	2.9 × 7.2
12	弹簧 VALVE SPRING	0.1 ± 0.01	2.6 × 6.2
13	螺丝 FASTENING SCREW	0.6 ± 0.01	5 × 17
14	电子总成 ELECTRONIC	2.7 ± 0.1	8.2 × 35
15	出气针 VENT ONE'S ANGER ACICULA	0.4 ± 0.01	2.4 × 15.5
16	进气针 ENTER GAS ACICULA	0.3 ± 0.01	3 × 13
17	吸管 SUCKER	0.2 ± 0.01	2.9 × 35
18	小胶圈 VALVE O RING	0.04 ± 0.001	∅3.2 × 1
19	中O圈 CENTRAL SECTION O RING	0.05 ± 0.001	∅3.2 × 1
20	大O圈 LARGE O RING	0.05 ± 0.001	∅3.2 × 1
21	T形钉 T NAIL	0.05 ± 0.001	∅3.9 × 1
22	小O环 VALVE O RING	0.04 ± 0.001	∅3.2 × 1
23	海绵 SPONGE FITER	0.04 ± 0.001	∅3.7 × 1
24	垫片 PILLOW	0.07 ± 0.001	6.3 × 2.2
25	大O环 LARGE O RING	0.05 ± 0.001	∅4.2 × 1
26	T形胶钉 T GLUE NAIL	0.05 ± 0.001	1.9 × 2.5
27	锌片 ZINC PATCH	0.1 ± 0.01	4 × 7.3
28	螺帽 SCREW CAP	0.2 ± 0.01	5 × 8.1
29	铜坐 NOZZLE BOTTOM	0.4 ± 0.01	3.9 × 6.8
30	内机头 INNER MACHINE CAPUT	0.5 ± 0.01	6.8 × 14.8
31	总机 GROSS MACHIN	65.4 ± 0.1	25.3 × 80.5

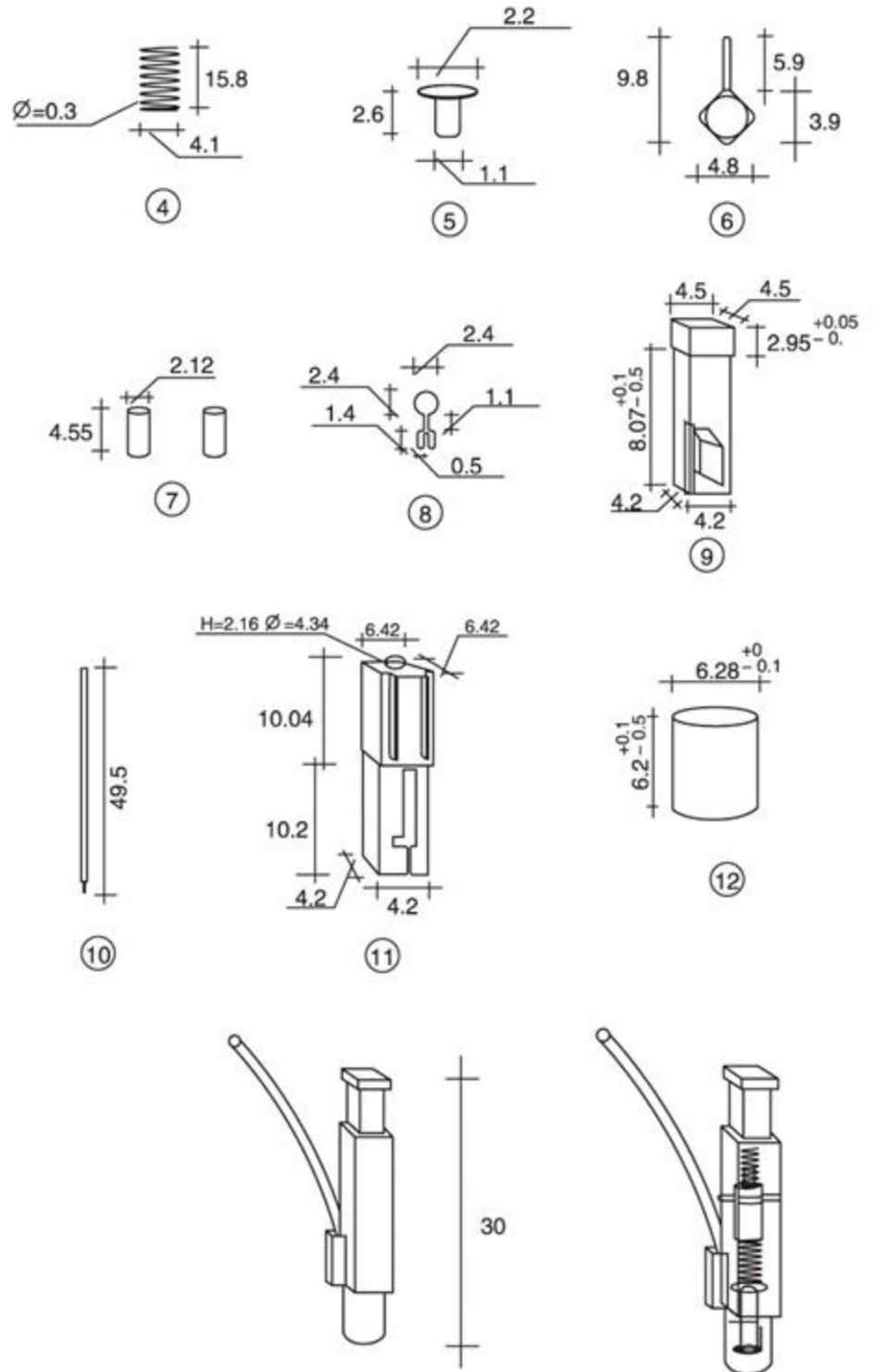


设计 designer		标准化 standardizer					
校对 proof-reading		制图 drawinger		图样标记	重量 WEIGHT	比例 PROPORTION	外观图 facade drawing
审核 checker		审定 judger					
签字 signaturer		日期 date		共 5 页 5 pages total		第 3 页 page 3	





编号 NO.	名称 NAME	尺寸 SIZE	压力 PRESS
1	方套 PLASTIC SERIES		
2	铁击头 HITTING IRONWORK		
3	压力弹簧 PRESSURE SPRING		6P
4	复位弹簧 RECOVERY PLACE SPRING		1P
5	击头挡钉 HITTING HEAD RIVET		
6	接地片 CONNECTION LAND SHEET		
7	压电陶瓷 PRODUCE ELECTRICITY POTTERY		
8	接线片 CONNECTION WIRE SHEET		
9	按钮 BUTTON		
10	发火线 IGNITION WIRE		
11	电子座 ELECTRONIC SEAT		
12	铜帽 COPPER CAP		



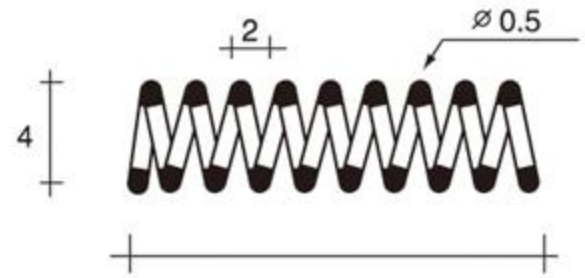
压力单位PRESS UNITS: 磅 ( P ) 单位UNITS: mm

备注  
REMARKS

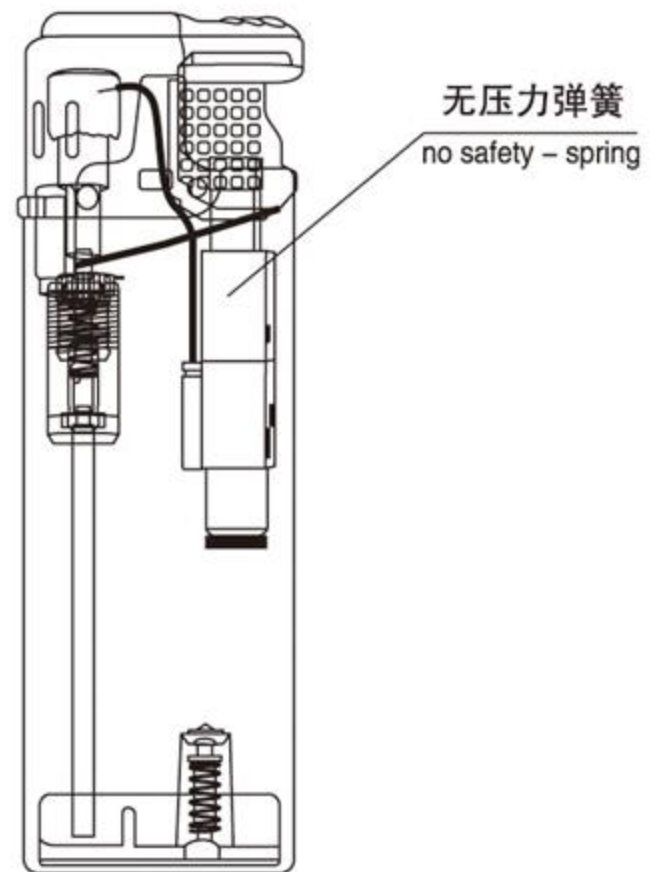
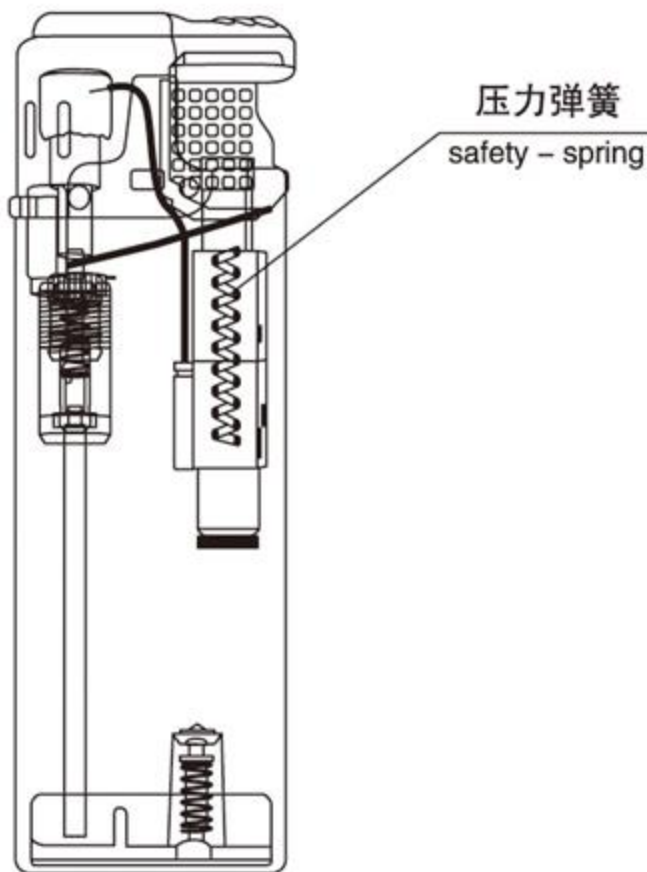
总的成品工作压力为 8.5-9.0 Pound  
压力的形成是压力弹簧的压力加复位弹簧的压力加  
汽箱中跳板的杠杆原理合成整机的压力。

The total plunge force of the prototype is 8.5-9.0 pound.  
The force strenght provided by the pressure spring,  
recovery place spring and the rod protocol of  
the jumping sheep in the gas box.

设计 designer	标准化 standardizer				外视图 facade drawing
校对 proof-reading	制图 drawinger	图样标记	重量 WEIGHT	比例 PROPORTION	
审核 checker	审定 judger				第 4 页 page 4
签字 signaturer	日期 date	共 5 页 5 pages total			



Safety – spring:  
 Material: Carbon – steel – wire.  
 Drawing Scale:2:1



### TECHNOLOGY STATEMENT:

1. There is not a safety – spring in the right – drawing, All resistance of lighter – operated is 1.5KG(3.31b),provided only by ignition – spring.
2. There is an additional safety – spring in the left–drawing.To press this spring 5mm,the resistance strength is 2.3kg(5.06b).plus the ignition spring 1.5KG(3.31),the resistance is 3.8KG(8.36b).Additional, plus the friction 0.15–0.3KG(0.3–0.6b),so the total resistance is 3.9–4.1KG(8.5–9b).(Children younger than 72 months are hardly able to operate the lighter which resistance is 3.9 – 4.1KG)

设计 designer		标准化 standardizer					
校对 proof–readinger		制图 drawinger		图样标记	重量 WEIGHT	比例 PROPORTION	外观图 facade drawing
审核 checker		审定 judger					
签字 signaturer		日期 date		共 5 页 5 pages total		第 5 页 page 5	



U.S. CONSUMER PRODUCT SAFETY COMMISSION  
4330 EAST WEST HIGHWAY  
BETHESDA, MD 20814

Office of Compliance and Field Operations  
Regulatory Enforcement Division  
Email: [MLee@cpsc.gov](mailto:MLee@cpsc.gov)

JUL 27 2010

Matthew Lee  
Compliance Officer  
Tel: 301-504-7513  
Fax: 301-504-0359

**Via Certified Mail and Fax: 805-528-9731**

Adam Olcott  
Gibson Enterprises, Inc.  
36 Zaca Lane  
San Luis Obispo, CA 93401

**RE: Cigarette Lighter Submission for Model HY209  
Submission ID SUBM10-0105**

Dear Mr. Olcott:

This is to acknowledge receipt by the Office of Compliance and Field Operations of the specifications and qualification test report for the referenced cigarette lighter model (based on the child testing conducted on model 20103 (Wrench)). Your report was received in our office on May 14, 2010. After comparing the specifications and prototype unit of the above model to the tested model 20103 (Wrench), we agree that the report you provided complies with the reporting requirements of the Safety Standard for Cigarette Lighters at 16 C.F.R. § 1210.17(b) for model HY209.

This acknowledgment of receipt of your report and its acceptance as being complete pursuant to 16 C.F.R. § 1210.17(b)(1)-(6) is not to be considered by you or any other party as an approval of the lighter or of the report. It is your responsibility to certify that each shipment of lighters you import complies with all the requirements of the standard. As long as the lighters fully comply with the standard and any other applicable federal regulations, and maintains all specifications indicated in your report received on May 14, 2010, including a gas plunger activation force equal to or greater than the manufacturer's minimum specification of 10.2 pounds of force, you may begin to import model HY209 for distribution and sale in the United States immediately.

The standard requires manufacturers or importers to label each cigarette lighter with an identification of the period of time during which the lighter was manufactured along with an



Page 2

identification of the manufacturer, which may be in code. See 16 C.F.R. § 1210.12(c) for specifics of the labeling requirements.

We would also like to inform you that this new information about your company will be added to the U.S. Consumer Product Safety Commission's (Commission) lists, which identify cigarette lighters by model as well as the manufacturers and importers that have submitted complete documentation as required by 16 C.F.R. § 1210.17(b). These lists are generated by the Commission's Office of Compliance and Field Operations. The information on the lists is based upon documentation provided by your firm or the firm you represent. The lists are regularly updated and are the subject of Freedom of Information Act (FOIA) requests from the public. We have made a determination to disclose these lists because the information identifying your cigarette lighter does not meet the criteria for confidential business information and is presumed accurate.

At this time, we are providing you the opportunity to comment on the information identifying your firm's product under the procedures in section 6(b) of the Consumer Product Safety Act (CPSA). Any comments you submit pertaining to the information will be considered by the FOIA office during their processing of the lists for release in response to FOIA requests. To permit full consideration, your written comments must be received within twenty calendar days of the date of this letter with three additional days allowed if you receive this letter by mail. Comments should be mailed to the Freedom of Information Officer, Office of the Secretary, U.S. Consumer Product Safety Commission, 4330 East West Highway, Suite 502, Bethesda, Maryland 20814-4408.

Also, this information will be available to the public via the Commission's official website. If you have no comments or objections to the public disclosure of these lists, you are not required to respond.

If you have any questions about the subject of this letter or other issues relating to the Safety Standard for Cigarette Lighters, please feel free to write or call me.

Sincerely,



Matthew Lee  
Compliance Officer  
Regulatory Enforcement Division